

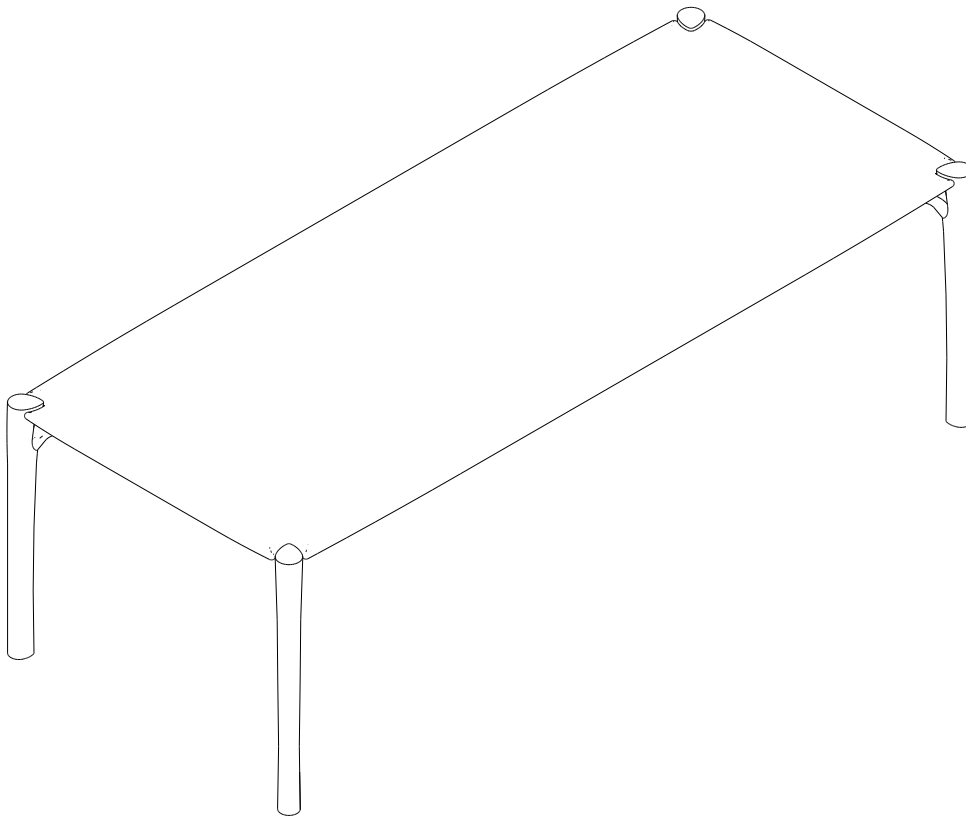
# Ethnicraft

## ASSEMBLY INSTRUCTIONS FOR TABLE INSTALLATION

---

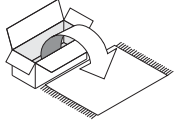
### OAK POLISHED IMPERFECT DINING TABLE

CODE	DESCRIPTION
51325	OAK POLISHED IMPERFECT DINING TABLE 140/80/76
51326	OAK POLISHED IMPERFECT DINING TABLE 160/80/76
51327	OAK POLISHED IMPERFECT DINING TABLE 180/90/76
51328	OAK POLISHED IMPERFECT DINING TABLE 200/95/76
51329	OAK POLISHED IMPERFECT DINING TABLE 220/95/76
51330	OAK POLISHED IMPERFECT DINING TABLE 240/100/76



## OAK POLISHED IMPERFECT DINING TABLE ASSEMBLY INSTRUCTIONS FOR DINING TABLE INSTALLATION

### NOTE



- CAREFULLY OPEN THE CARTON,
- REMOVE CONTENTS AND LAY OUT ON CARPET OR THE PACKAGING CARTON BOX OR OTHER PROTECTIVE SURFACE TO AVOID DAMAGE.
- CHECK PACKAGE CONTENTS TO ASSURE ALL THE NECESSARY HARDWARE AND PARTS ARE RECEIVED UNDAMAGED.
- DO NOT USE DAMAGE OR DEFECTIVE PARTS/HARDWARE.
- CONTACT ETHNICRAFT FOR ANY MISSING PART AND /OR HARDWARE.

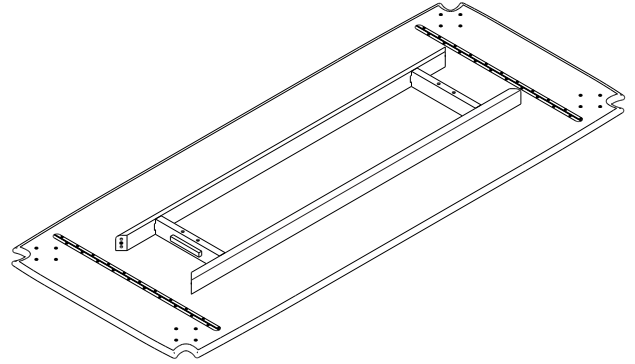


- READ THE ASSEMBLY INSTRUCTION BEFORE INSTALLATION AND CAREFULLY FOLLOW THE INSTRUCTION GIVEN.
- SEEK THE ADVICE OF A PROFESSIONAL IF YOU ARE NOT FAMILIAR WITH THESE INSTALLATIONS OR HAVE ANY DOUBTS ABOUT THE SAFETY OF THIS INSTALLATION.



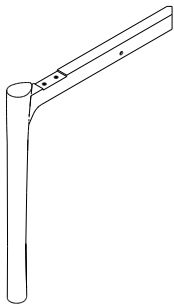
- IT IS ADVISABLE TO DO THIS ASSEMBLY WITH MINIMUM OF 2 PERSONS.

### PARTS TO ASSEMBLE



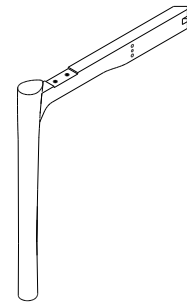
#### A TABLE TOP 1piece

CODE	DESCRIPTION
P4899	TABLE TOP 140x80
P4900	TABLE TOP 160x80
P4901	TABLE TOP 180x90
P4902	TABLE TOP 200x95
P4903	TABLE TOP 220x95
P4904	TABLE TOP 240x100



#### B LEG A 2 pieces

CODE	DESCRIPTION
P4905	LEG A



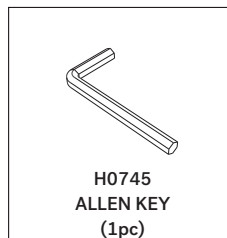
#### C LEG B 2 pieces

CODE	DESCRIPTION
P4906	LEG B

### HARDWARE ENCLOSED

 <b>H0907</b> BOLT M6x40 (4pcs)	 <b>H0789</b> COUNTERSUNK SCREW M6x25 (24pcs)
 <b>H2085</b> DOWEL Ø8x30 (8pcs)	 <b>H2180</b> METAL PLATE (4pcs)

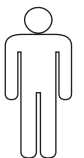
### TOOL (Included in packaged)



### SYMBOLS



DIRECTION



NUMBER OF PERSONS NEEDED



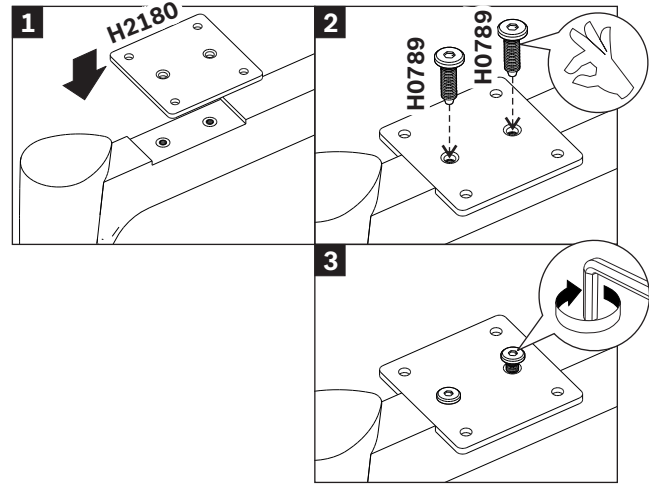
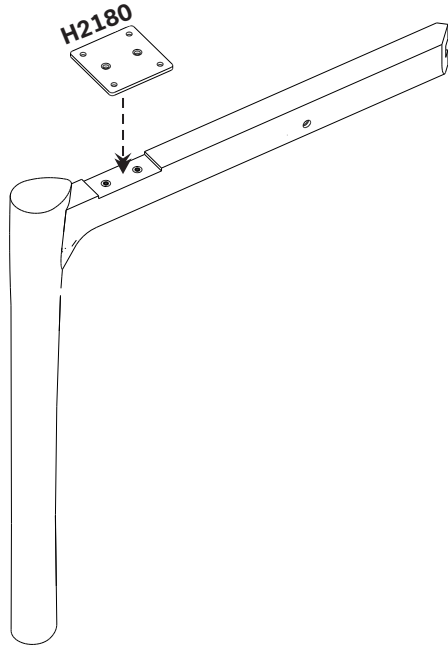
USE HAND



USE ALLEN KEY TO TIGHTEN

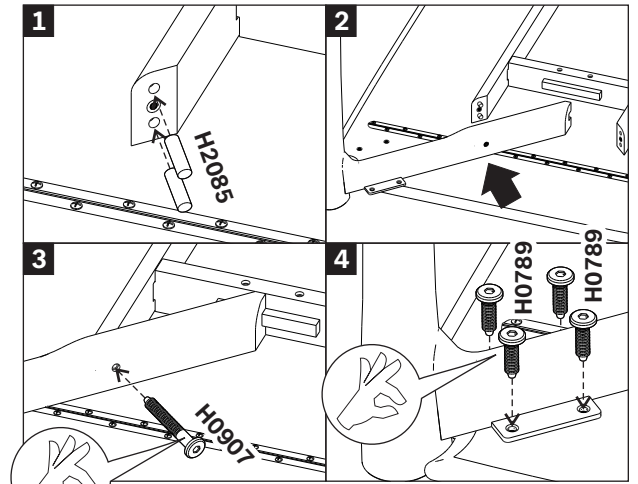
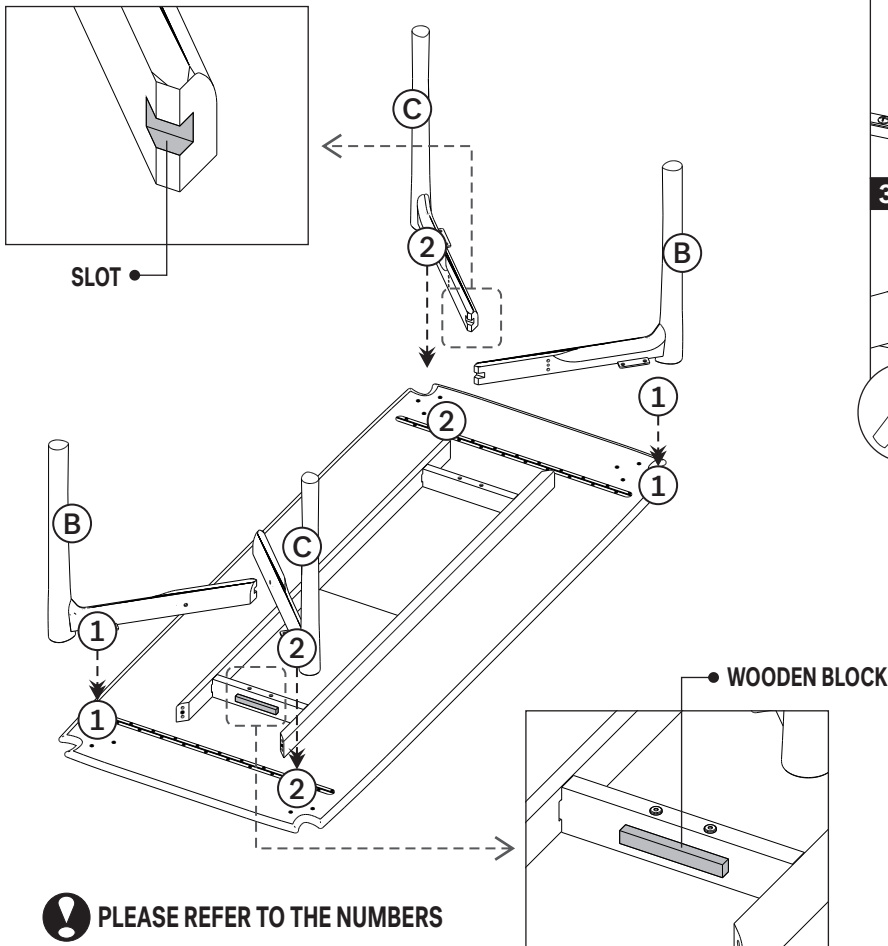
## OAK POLISHED IMPERFECT DINING TABLE ASSEMBLY INSTRUCTIONS FOR DINING TABLE INSTALLATION

### A INSTALLING METAL PLATE TO LEG

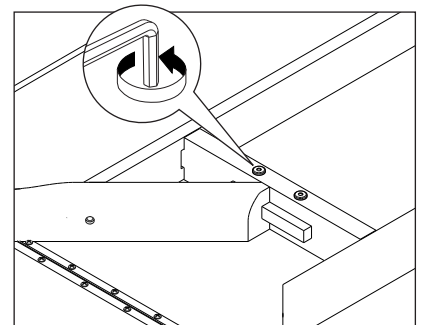


- USE COUNTERSUNK SCREW M6x25 (2X)
- TIGHTEN FULLY
- REPEAT ABOVE STEP FOR OTHER LEGS

### B INSTALLING LEGS TO TABLE TOP



- USE DOWEL Ø8x30 (8X)
- USE SCREW M6x25 (16X)
- USE BOLT M6x40 (4X)
- DO NOT FULLY TIGHTEN

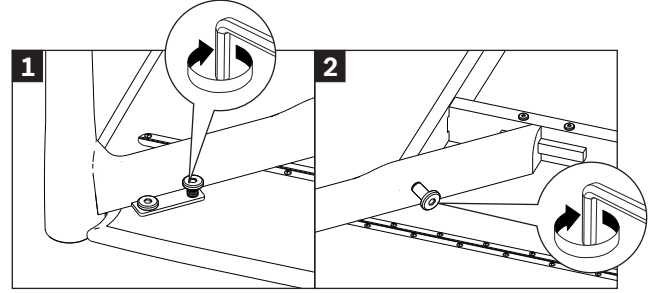
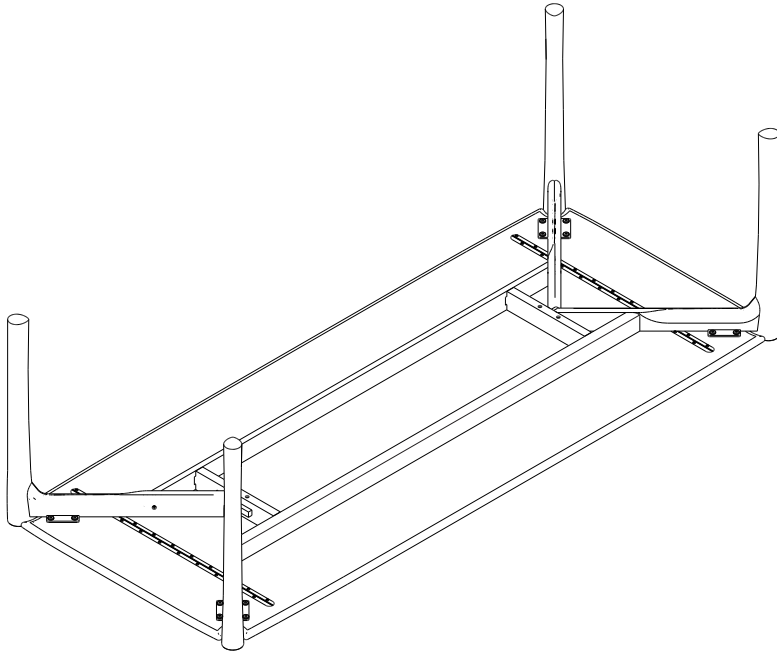


**!** PLEASE REFER TO THE NUMBERS

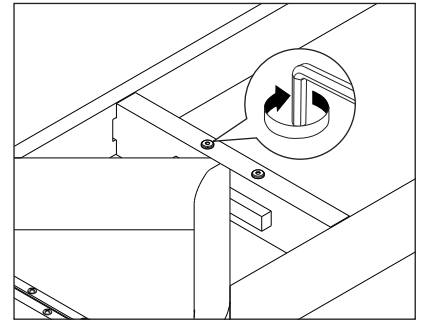
**!** IF SLOTS ON THE LEGS CAN NOT FIT INTO THE WOODEN BLOCK, LOOSE THE BOLTS ON THE SHORT APRON TO ADJUST THE SLOT POSITION

## OAK POLISHED IMPERFECT DINING TABLE ASSEMBLY INSTRUCTIONS FOR DINING TABLE INSTALLATION

### C RE-TIGHTEN



**TIGHTEN FULLY ALL BOLTS**



**TIGHT BACK THE BOLTS IN SHORT APRON IF PREVIOUSLY LOOSED**

### D FINISH

