

Date		Type	
Project			
Location			
Model#		Quantity	
Specifier			

VERTIGO NOVA FLOOR LAMP

DESIGNER : CONSTANCE GUISSSET

YEAR : 2020

ORIGIN : FRANCE

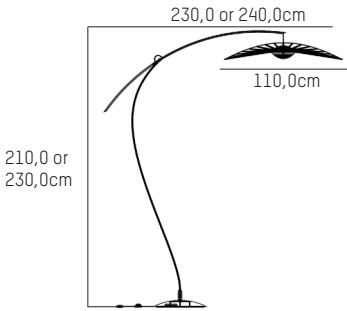
MATERIAL : GLASS, POLYURETHANE, FIBERGLASS, STEEL

2 YEARS WARRANTY (LED 5 YEARS)

Vertigo Nova is a highly technical collection that doesn't compromise on the design's iconic poetic elegance. A line that comes in black or white, for two subtly different moods

mount, Vertigo Nova quivers as the geometric curve of the hand-mounted fiberglass hoop reacts to the lightest of breezes. The sculptural form and movement of the light draws in the keen appreciative eye.

Be it as a floor lamp, suspension light, or wall



MAIN SPECIFICATIONS

**COLOUR
EAN
REFERENCE**



White
3701128108049
L0841002



Black/White
3701128118413
L0841003

PHYSICAL

MEASURES

Length

230,0cm / 90,5inch or
210,0cm / 82,7inch

Height

230,0cm / 90,5inch or
240,0cm / 94,5inch

Weight

2,0kg / 7,0lbs

Width

110,0cm / 43,3inch

PARCEL LOGISTICS

Box 1/2

51,7 x 234,0 x 15,7cm
20,3 x 92,1 x 6,2inch
25,0kg
55,1lbs

Box 2/2

72,0 x 72,0 x 22,0cm
28,3 x 28,3 x 8,6inch
2,0kg
4,4lbs

ELECTRICAL

Source type

Built-in LED module

Replaceable source

Yes, by manufacturer

Power

12W

Cable length

250,0cm / 98,4inch

Cable colour

Black (white for white)

Environment

Indoor

Light source

Included

CRI

85+

Color temperature

2700K

Luminous flux

825lm

Dimmable

Yes

Switch

Dimmable foot switch

Plug

A

Category

Floor lamp

Frequency

60Hz

Voltage

110-120V~



SPARE PARTS

Glass, shade, base