

IT

1 - Seguire attentamente le Istruzioni di montaggio e d'uso per garantire un funzionamento corretto e sicuro dell'apparecchio.

2 - Conservare le Istruzioni per future necessita. Per eventuali problemi contattare il rivenditore.

3 - Il prodotto non deve essere modificato. Qualsiasi modifica annulla le approvazioni di sicurezza e può rendere pericoloso l'apparecchio.

4 - Rotalliana declina ogni responsabilità per danni causati a cose o a persone da un non corretto uso dell'apparecchio.

5 - Fare riferimento al sito web www.rotalliana.it per le Istruzioni di sostituzione degli alimentatori, delle sorgenti luminose e disassemblaggio a fine vita del prodotto.

6 - Questo prodotto contiene una sorgente luminosa di classe energetica F.

EN

1 - Follow carefully the assembly and use instructions to guarantee a correct and safe function of the luminaire.

2 - Keep the instructions for future needs. For any problems, get in touch with your supplier.

3 - The product must not be modified. Any change will nullify the safety guarantees and may make the luminaire dangerous.

4 - Rotalliana declines all responsibility for damage caused to things or persons by any improper use of the luminaire.

5 - Refer to the website www.rotalliana.it for instruction on how to replace the power packs, the light sources, and on how to disassemble the product at the end of its lifecycle.

6 - This product contains an energy class F light source.

FR

1 - Suivre soigneusement les instructions de montage et d'utilisation pour garantir un correct et sur fonctionnement de l'appareil.

2 - Garder les instructions pour des futures necessites. Pour tous problemes, contacter le revendeur.

3 - Le produit ne doit pas etre modifie. Toute modification annule les approbations de securite et pt rendre dangereux l'appareil.

4 - Rotalliana declina toute responsabilite pour les degats causes choses ou personnes this une incorrecte utilisation de l'appareil.

5 - Reportez-vous au site la toute www.rotalliana.it pour les Instructions de substitution des alimentateurs, des sources lumineuses et pour le demontage du produit en fin de vie.

6 - Ce produit contient une source lumineuse de classe energetique F.

DE

1 - Bitte lesen Si e die Montage-und Gebrauchsanleitungen aufmerksam, um eine richtige und gefahrlose Arbeitsweise der Leuchte zu gewährleisten.

2 - Bewahren Si e die Anweisungen für zukünftige Notfälle auf.

3 - Das Produkt darf nicht verändert werden. Jede Änderung annulliert die Stcherheitsbestimmungen und könnte zu einer Gefährdung durch die Leuchte führen.

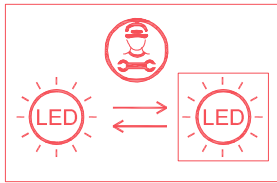
4 - Rotalliana ist nicht für Schäden verantwortlich, die durch Dritte bei unsachgemäß Anwendung der Leuchte verursacht werden.

5 - Für die anleitungen bezüglich des austausches der netzteile und der lichtquellen demontage am ende der lebensdauer des produkts konsultieren sie bitte die website www.rotalliana.it.

6 - Dieses produkt enthält eine lichtquelle der energieklasse F.

Rotalliana srl  
via Trento 115 - 117  
38017 Mezzolombardo  
Trento, Italia

T. +39 0461 602376  
info@rotalliana.it  
rotalliana.it



IT - LED sostituibile solo da personale specializzato.

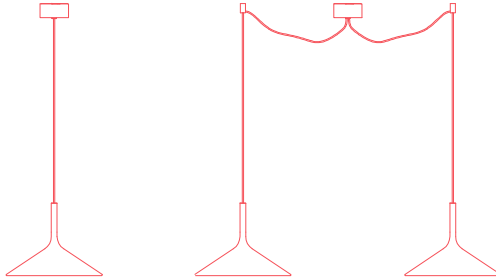
EN - Replaceable (LED only) light source by a professional.

DE - Durch einem Fachmann austauschbare Lichtquelle (nur LED).

FR - Source de lumière remplaçable (LED) par un professionnel.

# Dry design: Dante Donegani & Giovanni Lauda

Made in Italy



IT

EN

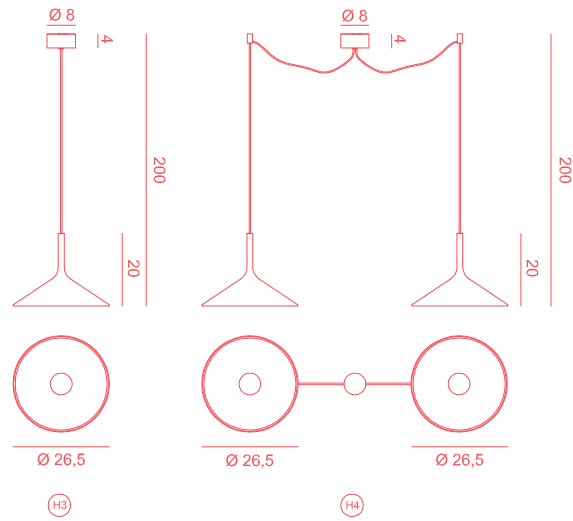
FR

DE

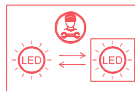
UE

Dry

cod: H3, H4



Light Source	MID POWER LED
Power <b>H3</b>	13 Watt
Power <b>H4</b>	26 Watt
Kelvin	2.700
Dimmer	phase / DALI
Lumen <b>H3</b>	915
Lumen <b>H4</b>	1.830
CRI	90



LED IP 20

LED IP 20

LED IP 20

LED IP 20

Attenzione, rischio di scossa elettrica.

Il modulo Led contenuto in questo apparecchio di illuminazione può essere sostituito esclusivamente dal costruttore. Per un'eventuale sostituzione, si prega contattare il proprio rivenditore.

Il modulo Led contenuto in questo apparecchio di illuminazione può essere sostituito esclusivamente dal costruttore. Per un'eventuale sostituzione, si prega di informarsi in merito al sistema quanto sopra è sanzionato dalla Legge. Si è previsto un sistema di smaltimento del prodotto a fine vita. Il marchio rispetto al quale è stato effettuato il recepimento per lo smaltimento dell'apparecchio è quello della Direttiva 2012/19/UE e delle Leggi nazionali.

Montaggio e manutenzione devono essere eseguiti esclusivamente da personale specializzato.

ATTENZIONE: L'apparecchio non deve essere smaltito come rifiuto urbano. Deve essere soggetto a raccolta separata per evitare danni all'ambiente. Nel rispetto della Direttiva 2012/19/UE e delle Leggi nazionali.

Le parti che conducono corrente elettrica contro l'ingresso di polvere e umidità, Le superfici quali parafiumi, vetri, riflettori e coperture possono essere pulite con un panno morbido senza deterivo. Proteggere la lampada dall'umidità durante l'uso.

Le parti che conducono corrente elettrica non devono entrare in contatto con l'umidità. Le superfici quali parafiumi, vetri, riflettori e coperture possono essere pulite con un panno morbido senza deterivo. Proteggere la lampada dall'umidità durante l'uso.

Le parti che conducono corrente elettrica non devono entrare in contatto con l'umidità. Le superfici quali parafiumi, vetri, riflettori e coperture possono essere pulite con un panno morbido senza deterivo. Proteggere la lampada dall'umidità durante l'uso.

Le parti che conducono corrente elettrica non devono entrare in contatto con l'umidità. Le superfici quali parafiumi, vetri, riflettori e coperture possono essere pulite con un panno morbido senza deterivo. Proteggere la lampada dall'umidità durante l'uso.

Le parti che conducono corrente elettrica non devono entrare in contatto con l'umidità. Le superfici quali parafiumi, vetri, riflettori e coperture possono essere pulite con un panno morbido senza deterivo. Proteggere la lampada dall'umidità durante l'uso.

Le parti che conducono corrente elettrica non devono entrare in contatto con l'umidità. Le superfici quali parafiumi, vetri, riflettori e coperture possono essere pulite con un panno morbido senza deterivo. Proteggere la lampada dall'umidità durante l'uso.

Le parti che conducono corrente elettrica non devono entrare in contatto con l'umidità. Le superfici quali parafiumi, vetri, riflettori e coperture possono essere pulite con un panno morbido senza deterivo. Proteggere la lampada dall'umidità durante l'uso.

Le parti che conducono corrente elettrica non devono entrare in contatto con l'umidità. Le superfici quali parafiumi, vetri, riflettori e coperture possono essere pulite con un panno morbido senza deterivo. Proteggere la lampada dall'umidità durante l'uso.

ATTENTION The product cannot be disposed as unsorted municipal waste. It must be collected separately to prevent negative environmental impacts. In accordance with the procedures of Directive 2012/19/UE and relevant national laws and regulations adopted pursuant to this Directive on the disposal of waste at the end of the life cycle of the product, any violation sanctioned by law, please inform yourself about the local separate collection system for electrical and electronic products.

ATTENTION The product cannot be disposed as unsorted municipal waste. It must be collected separately to prevent negative environmental impacts. In accordance with the procedures of Directive 2012/19/UE and relevant national laws and regulations adopted pursuant to this Directive on the disposal of waste at the end of the life cycle of the product, any violation sanctioned by law, please inform yourself about the local separate collection system for electrical and electronic products.

ATTENTION The product cannot be disposed as unsorted municipal waste. It must be collected separately to prevent negative environmental impacts. In accordance with the procedures of Directive 2012/19/UE and relevant national laws and regulations adopted pursuant to this Directive on the disposal of waste at the end of the life cycle of the product, any violation sanctioned by law, please inform yourself about the local separate collection system for electrical and electronic products.

ATTENTION The product cannot be disposed as unsorted municipal waste. It must be collected separately to prevent negative environmental impacts. In accordance with the procedures of Directive 2012/19/UE and relevant national laws and regulations adopted pursuant to this Directive on the disposal of waste at the end of the life cycle of the product, any violation sanctioned by law, please inform yourself about the local separate collection system for electrical and electronic products.

ATTENTION The product cannot be disposed as unsorted municipal waste. It must be collected separately to prevent negative environmental impacts. In accordance with the procedures of Directive 2012/19/UE and relevant national laws and regulations adopted pursuant to this Directive on the disposal of waste at the end of the life cycle of the product, any violation sanctioned by law, please inform yourself about the local separate collection system for electrical and electronic products.

ATTENTION The product cannot be disposed as unsorted municipal waste. It must be collected separately to prevent negative environmental impacts. In accordance with the procedures of Directive 2012/19/UE and relevant national laws and regulations adopted pursuant to this Directive on the disposal of waste at the end of the life cycle of the product, any violation sanctioned by law, please inform yourself about the local separate collection system for electrical and electronic products.

ATTENTION The product cannot be disposed as unsorted municipal waste. It must be collected separately to prevent negative environmental impacts. In accordance with the procedures of Directive 2012/19/UE and relevant national laws and regulations adopted pursuant to this Directive on the disposal of waste at the end of the life cycle of the product, any violation sanctioned by law, please inform yourself about the local separate collection system for electrical and electronic products.

ATTENTION The product cannot be disposed as unsorted municipal waste. It must be collected separately to prevent negative environmental impacts. In accordance with the procedures of Directive 2012/19/UE and relevant national laws and regulations adopted pursuant to this Directive on the disposal of waste at the end of the life cycle of the product, any violation sanctioned by law, please inform yourself about the local separate collection system for electrical and electronic products.

ATTENTION The product cannot be disposed as unsorted municipal waste. It must be collected separately to prevent negative environmental impacts. In accordance with the procedures of Directive 2012/19/UE and relevant national laws and regulations adopted pursuant to this Directive on the disposal of waste at the end of the life cycle of the product, any violation sanctioned by law, please inform yourself about the local separate collection system for electrical and electronic products.

ATTENTION The product cannot be disposed as unsorted municipal waste. It must be collected separately to prevent negative environmental impacts. In accordance with the procedures of Directive 2012/19/UE and relevant national laws and regulations adopted pursuant to this Directive on the disposal of waste at the end of the life cycle of the product, any violation sanctioned by law, please inform yourself about the local separate collection system for electrical and electronic products.

ATTENTION The product cannot be disposed as unsorted municipal waste. It must be collected separately to prevent negative environmental impacts. In accordance with the procedures of Directive 2012/19/UE and relevant national laws and regulations adopted pursuant to this Directive on the disposal of waste at the end of the life cycle of the product, any violation sanctioned by law, please inform yourself about the local separate collection system for electrical and electronic products.

ATTENTION The product cannot be disposed as unsorted municipal waste. It must be collected separately to prevent negative environmental impacts. In accordance with the procedures of Directive 2012/19/UE and relevant national laws and regulations adopted pursuant to this Directive on the disposal of waste at the end of the life cycle of the product, any violation sanctioned by law, please inform yourself about the local separate collection system for electrical and electronic products.

ATTENTION The product cannot be disposed as unsorted municipal waste. It must be collected separately to prevent negative environmental impacts. In accordance with the procedures of Directive 2012/19/UE and relevant national laws and regulations adopted pursuant to this Directive on the disposal of waste at the end of the life cycle of the product, any violation sanctioned by law, please inform yourself about the local separate collection system for electrical and electronic products.

ATTENTION The product cannot be disposed as unsorted municipal waste. It must be collected separately to prevent negative environmental impacts. In accordance with the procedures of Directive 2012/19/UE and relevant national laws and regulations adopted pursuant to this Directive on the disposal of waste at the end of the life cycle of the product, any violation sanctioned by law, please inform yourself about the local separate collection system for electrical and electronic products.

Caution, risk of electric shock.

Caution, risk of electric shock.

Caution, risk of electric shock.

Caution, risk of electric shock.

Caution, risk of electric shock.

Caution, risk of electric shock.

Caution, risk of electric shock.

Caution, risk of electric shock.

Caution, risk of electric shock.

Caution, risk of electric shock.

Caution, risk of electric shock.

Caution, risk of electric shock.

Caution, risk of electric shock.

Caution, risk of electric shock.

Attention, risk of electric shock.

Attention, risk of electric shock.

Attention, risk of electric shock.

Attention, risk of electric shock.

Attention, risk of electric shock.

Attention, risk of electric shock.

Attention, risk of electric shock.

Attention, risk of electric shock.

Attention, risk of electric shock.

Attention, risk of electric shock.

Attention, risk of electric shock.

Attention, risk of electric shock.

Attention, risk of electric shock.

Attention, risk of electric shock.

Attention, risk of electric shock.

Attention, risk of electric shock.

Attention, risk of electric shock.

Attention, risk of electric shock.

Attention, risk of electric shock.

Attention, risk of electric shock.

Attention, risk of electric shock.

Attention, risk of electric shock.

Attention, risk of electric shock.

Attention, risk of electric shock.

Attention, risk of electric shock.

Attention, risk of electric shock.

Attention, risk of electric shock.

Attention, risk of electric shock.

Achtung, Gefahr eines elektrischen Schlags.

Achtung, Gefahr eines elektrischen Schlags.

Achtung, Gefahr eines elektrischen Schlags.

Achtung, Gefahr eines elektrischen Schlags.

Achtung, Gefahr eines elektrischen Schlags.

Achtung, Gefahr eines elektrischen Schlags.

Achtung, Gefahr eines elektrischen Schlags.

Achtung, Gefahr eines elektrischen Schlags.

Achtung, Gefahr eines elektrischen Schlags.

Achtung, Gefahr eines elektrischen Schlags.

Achtung, Gefahr eines elektrischen Schlags.

Achtung, Gefahr eines elektrischen Schlags.

Achtung, Gefahr eines elektrischen Schlags.

Achtung, Gefahr eines elektrischen Schlags.

Achtung, Gefahr eines elektrischen Schlags.

Achtung, Gefahr eines elektrischen Schlags.

Achtung, Gefahr eines elektrischen Schlags.

Achtung, Gefahr eines elektrischen Schlags.

Achtung, Gefahr eines elektrischen Schlags.

Achtung, Gefahr eines elektrischen Schlags.

Achtung, Gefahr eines elektrischen Schlags.

Achtung, Gefahr eines elektrischen Schlags.

Achtung, Gefahr eines elektrischen Schlags.

Achtung, Gefahr eines elektrischen Schlags.

Achtung, Gefahr eines elektrischen Schlags.

Achtung, Gefahr eines elektrischen Schlags.

Achtung, Gefahr eines elektrischen Schlags.

Achtung, Gefahr eines elektrischen Schlags.

IT

Istruzioni di montaggio e uso

EN

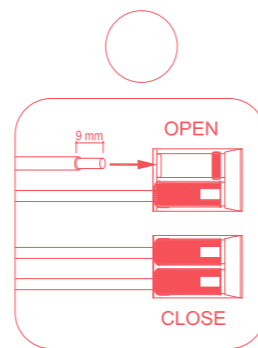
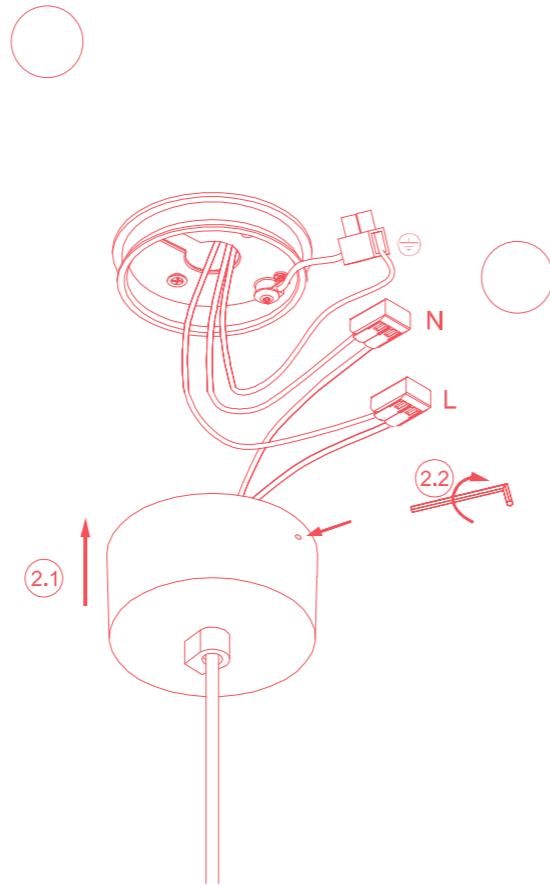
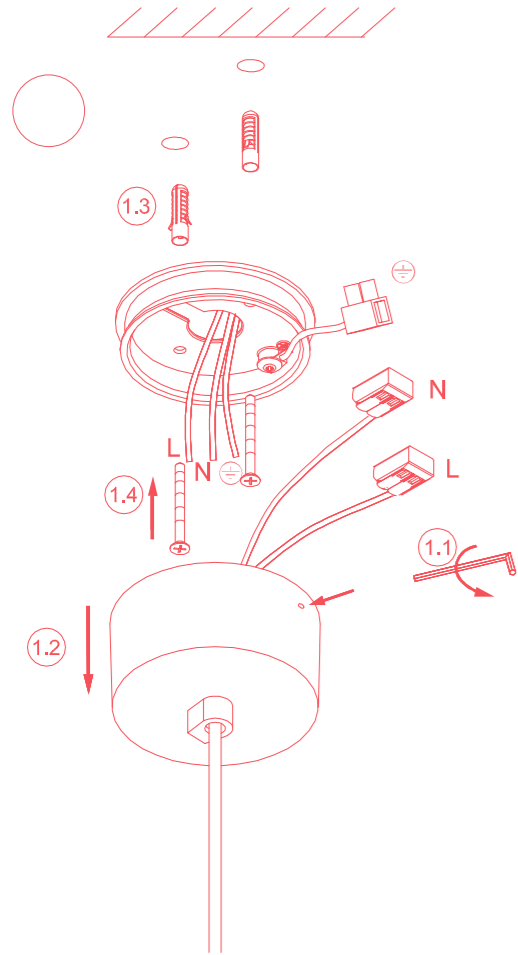
Assembly and operating instructions

FR

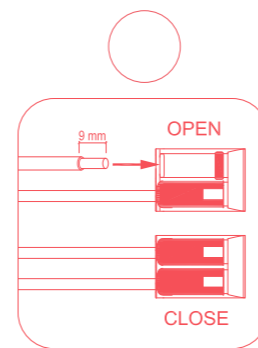
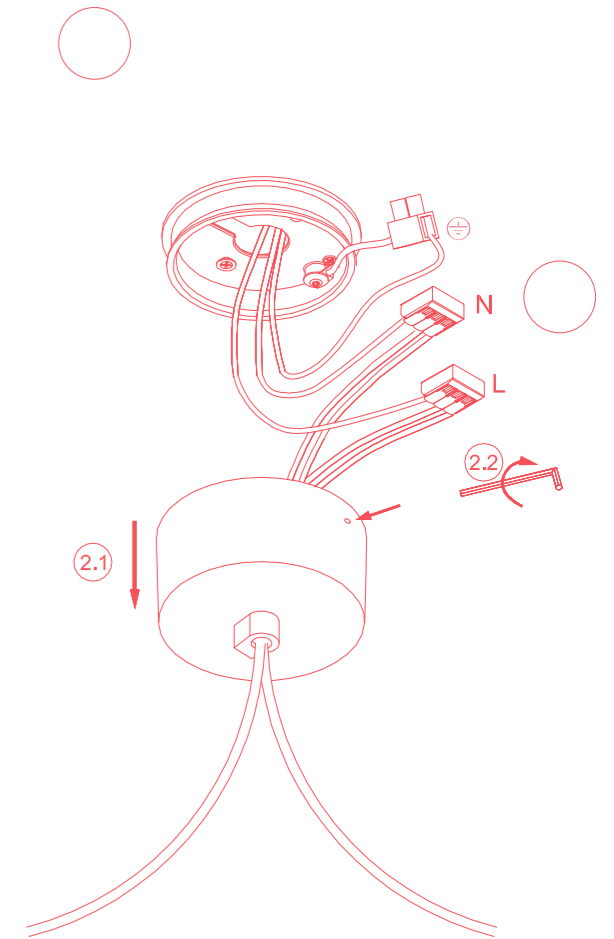
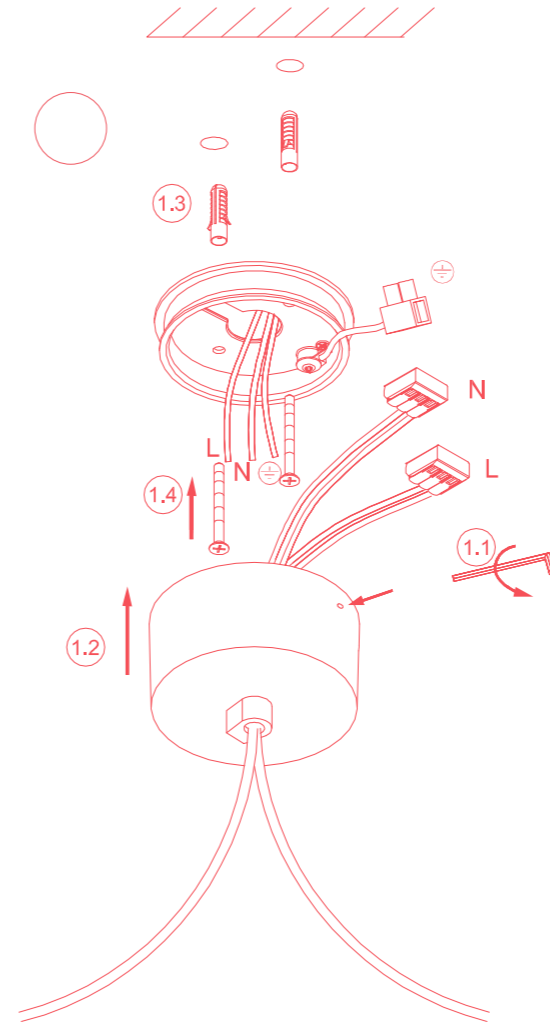
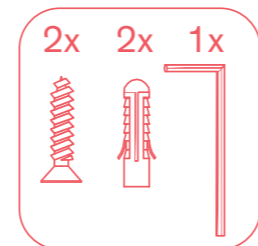
Manuel de montage et mode d'emploi

DE

Montageanleitung und Gebrauchsanweisung



incluso/included



incluso/included

